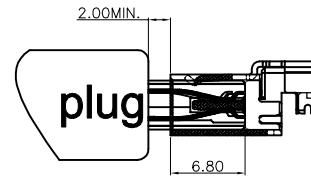
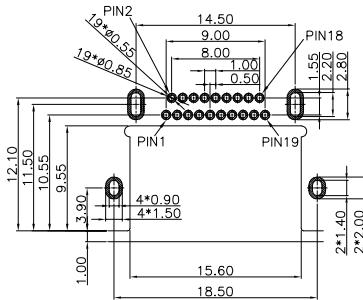
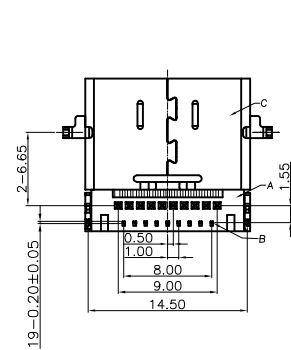
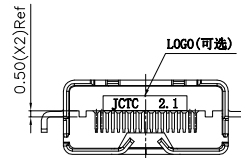
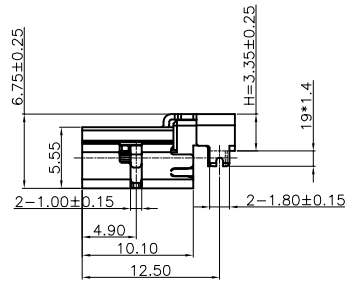
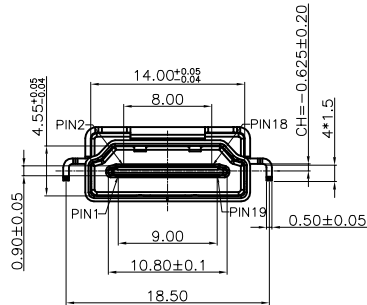
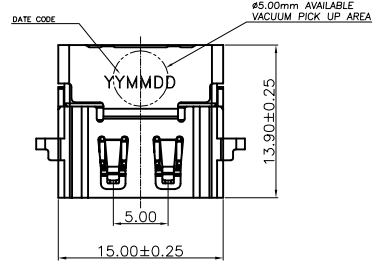


环保物料

SPECIFICATIONS:

- ELECTRICAL CHARACTERISTICS**
 - CURRENT RATING: 0.5A**
 - VOLTAGE RATING: 40V**
 - CONTACT RESISTANCE: Initial 50 mΩ Max. Final 80 mΩ Max.**
 - INSULATION RESISTANCE: 100M Min. 500V DC**
 - DIELECTRIC WITHSTANDING VOLTAGE: 500V AC**
- MECHANICAL CHARACTERISTICS:**
 - INSERTION FORCE : 3.0kgf Max.**
 - WITHDRAWING FORCE : 1.0kgf Min.**
- LIFE TEST: 10000 CYCLES**
- OPERATING TEMPERATURE: -40° C TO +85° C**
- SALT SPRAY TEST: 48H**

PIN #	SIGNAL ASSIGNMENT	PIN #	SIGNAL ASSIGNMENT	MATING SEQUENCE
1	TMDS Data2+	2	TMDS Data2 Shield	THIRD PIN18 (+5V POWER)
3	TMDS Data2-	4	TMDS Data1+	
5	TMDS Data1 Shield	6	TMDS Data-	
7	TMDS Data0+	8	TMDS Data0 Shield	SECOND PIN 1~17 PIN 19
9	TMDS Data0-	10	TMDS Clock+	
11	TMDS Clock Shield	12	TMDS Clock-	
13	CEC	14	Utility	
15	SCL	16	SDA	
17	DDC/CEC Ground	18	+5V Power	
19	Hot Plug Detect			
SHELL	SHIELD			FIRST MAKE



RECOMMENDED PCB LAYOUT T=1.00mm (TOP VIEW)

TOLERANCE: ±0.05mm

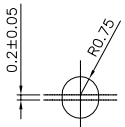
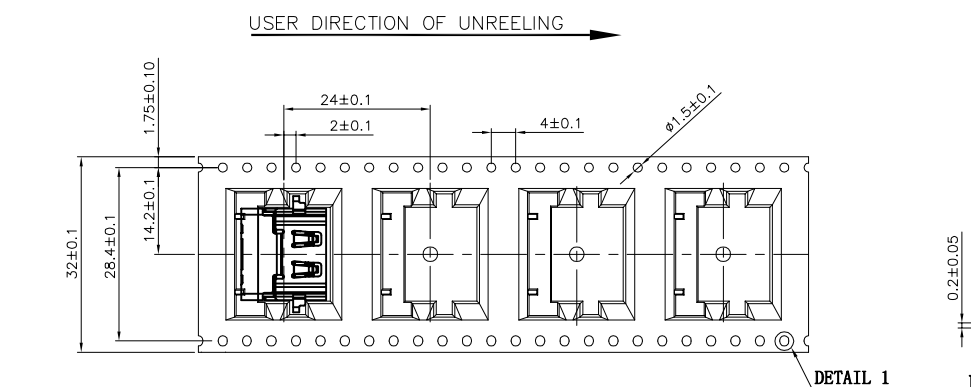
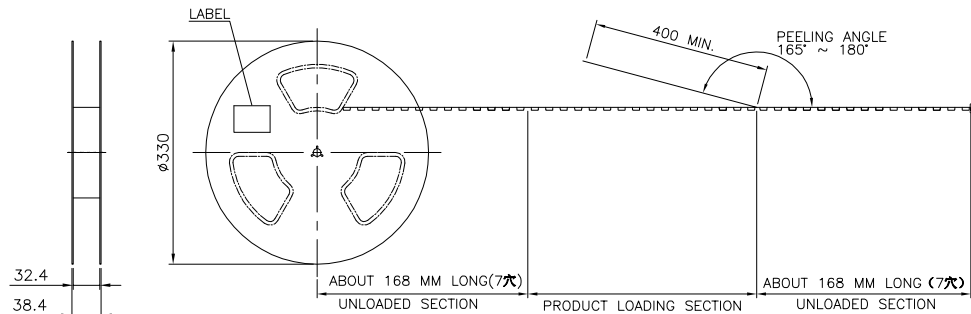
料号对照说明:

W-HD32119-0A00B	HA-FB062DR-B001	外壳黑镍, 端子半金锡 1u"有LOGO
	HA-FB062DR-E001	外壳普通镍, 端子半金锡 1u"有LOGO
W-HD32119-0E00-N	HA-FB062DR-E005	外壳普通镍, 端子半金锡 5u"无LOGO

C	SHELL	1	SUS430 T=0.5mm, Ni&Black Ni overall 50u" Min.
B	TERMINAL	19	C2680R-H_Au plating on contact area & 100u" Min. Sn plating on solder area, 60u" min Ni underplatd.
A	HOUSING	1	LCP UL94V-0 BLACK
NO	PART NAME	QTY	MATERIAL & PLATING & COLOR

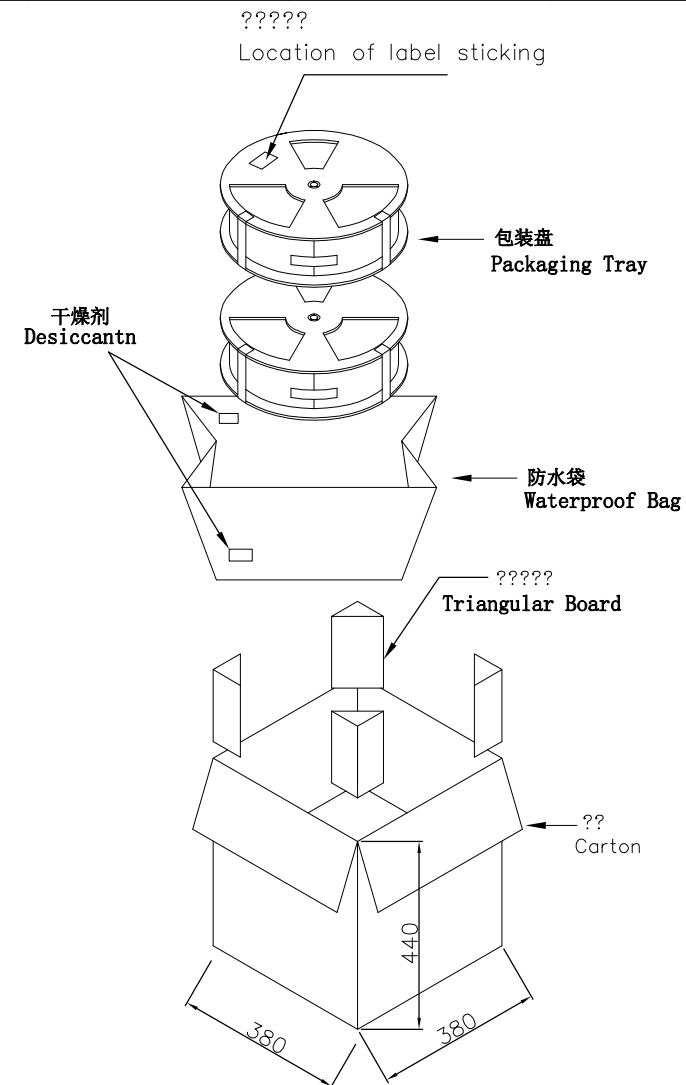
REV.	REVISION RECORD	DATE	GENERAL TOLERANCES	SCALE	NAME	DATE	PART NO.	DWG NO.	 JCTC ® TERMINAL&CONNECTORS			
A0	新图面发行	21.12.03	LINEAR	1:1	Frey Yang	21.12.03	HA-FB062DR-xxxx	ENDE05				
			ANGLES	APPROVED	Daniel Dong	21.12.03	TITLE					
			0.0±0.30 X° REF±6°	DESIGNER	Micky Ma	21.12.03	HDMI2.1 AF RVS CH=-0.625 H3.35 L13.9 DIP					
			UNIT: MM						REV	A0	SHEET	1/1
			0.00±0.20 X° ±3°									
			SIZE: A4									
			0.00±0.10 X° X'±2°									

环保物料



NOTE:

- MATERIAL:**
 BOX: FIBREBOARD, CORRUGATED, DOUBLE WALL.
 TAPE: POLYSTYRENES, HEAT-RESISTANT TEMPERATURE: 120°C , NATURAL COLOR.
 REEL: POLYSTYRENES, HEAT-RESISTANT TEMPERATURE: 70°C , BLUE COLOR.
 BAG: POLYETHYLENE, HEAT-RESISTANT TEMPERATURE: 100°C .
- PEELING STRENGTH:** $0.2 \sim 1.0\text{ N}$ ($20 \sim 100\text{ GRAMS}$)
- PEELING SPEED:** 300 mm/min .
- EACH BAG SHALL BE INCLUDED DESICCANT.**



350	11	3850 PCS	-- KG	-- KG
PCS/ REEL	REELS/ CARTON	QUANTITY	GROSS WEIGHT	NET WEIGHT

REV.	REVISION RECORD	DATE	GENERAL TOLERANCES		SCALE	NAME	DATE	PART NO.	DWG NO.	 JCTC ® TERMINAL&CONNECTORS
A0	新图面发行	21.12.03	LINEAR	ANGLES	1:1	Frey Yang	21.12.03	HA-FB062DR-xxxx	ENDE05	
A1	更新包装数量	22.08.11	0.0 ± 0.30	$X^\circ \text{ REF} \pm 6^\circ$	APPROVED	Daniel Dong	21.12.03	TITLE HDMI2.1 AF RVS CH=-0.625 H3.35 L13.9 DIP	REV	
			0.00 ± 0.20	$X^\circ \pm 3^\circ$	DESIGNER	Micky Ma	21.12.03			
			UNIT: MM	0.00 ± 0.10	$X^\circ X' \pm 2^\circ$	DRAWN			1/1	