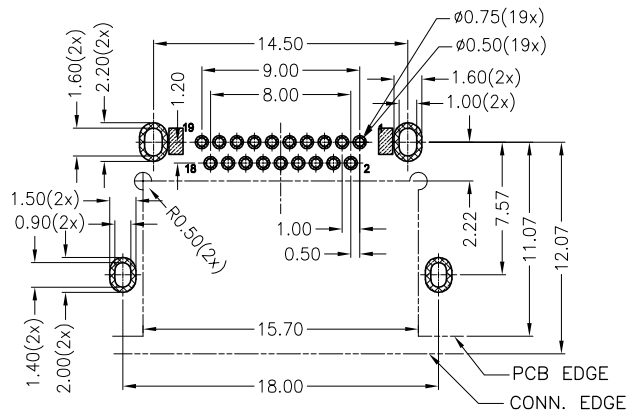
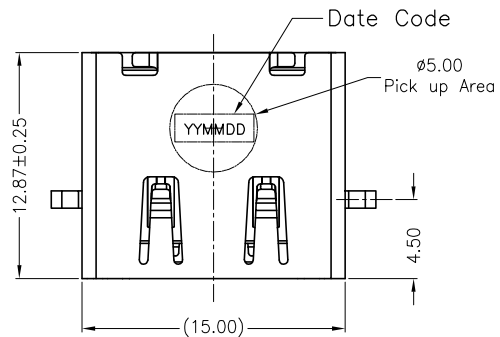
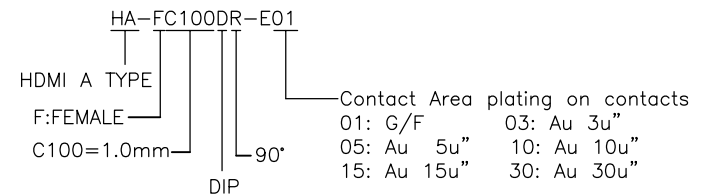
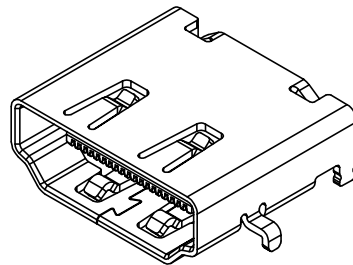
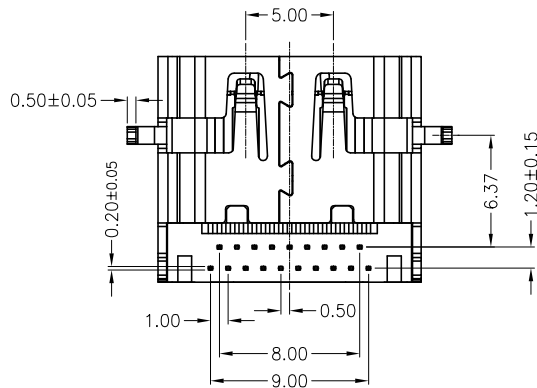
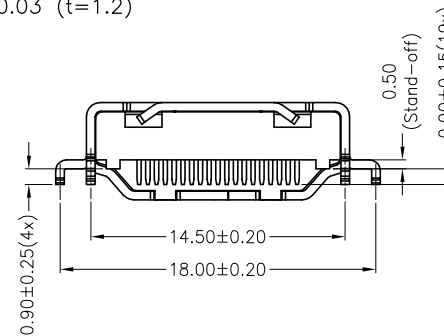
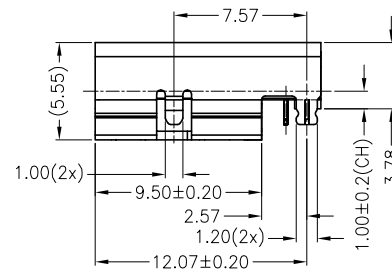
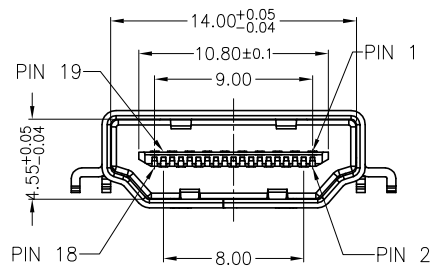



环保物料



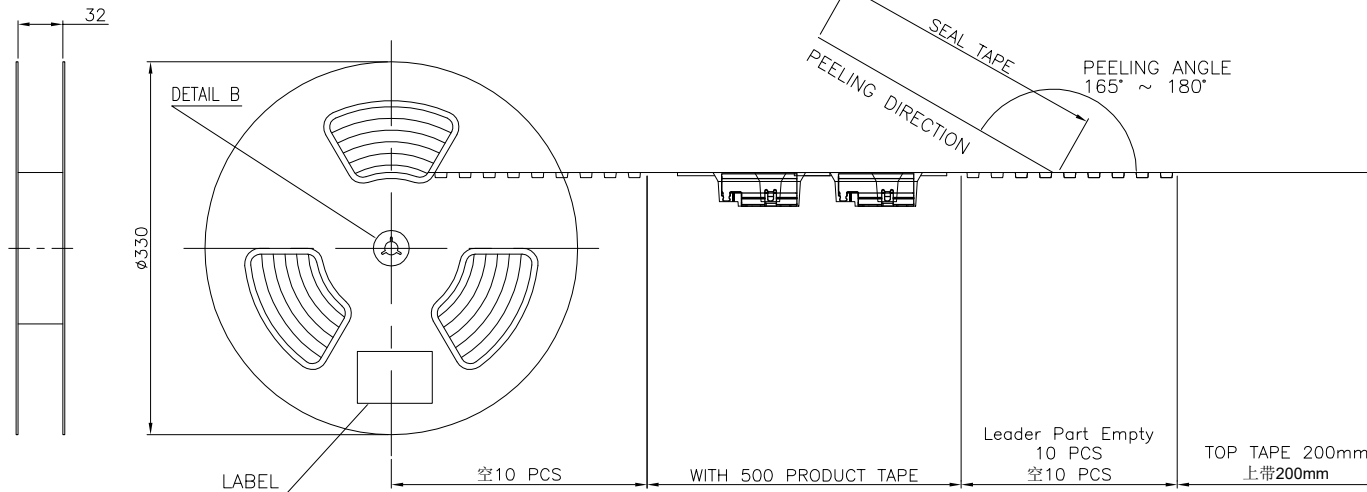
NOTES:

- MATERIAL AND PLATING:**  
Housing: LCP+30%G.F,UL94V-0,Black  
Contact: Copper Alloy, Au And Sn Plated.  
Shell: SK7, Ni Plated.
- MECHANICAL CHARACTERISTIC**  
Mating Force: 44.1N(4.5Kgf) max.  
Unmating Force: 9.8N~39.2(1~4Kg).  
Durability: 10,000 Cycles.
- ELECTRICAL CHARACTERISTIC**  
Current Rating: 0.5A Max.  
Voltage Rating: 40V AC Max.  
Contact Resistance: 30m Ohm Max.  
Insulation Resistance: 100M Ohm Min(unmated)  
10M Ohm Min(mated)  
Dielectric Withstanding Voltage: 500V AC Min
- TEMPERATURE**  
Operating Temperature: -40°C~+85°C  
Storage Temperature: -60°C~+105°C
- DATE CODE:** YYMMDD (Y:YEAR M:MONTH D:DATE)
- ORDER INFORMATION:**

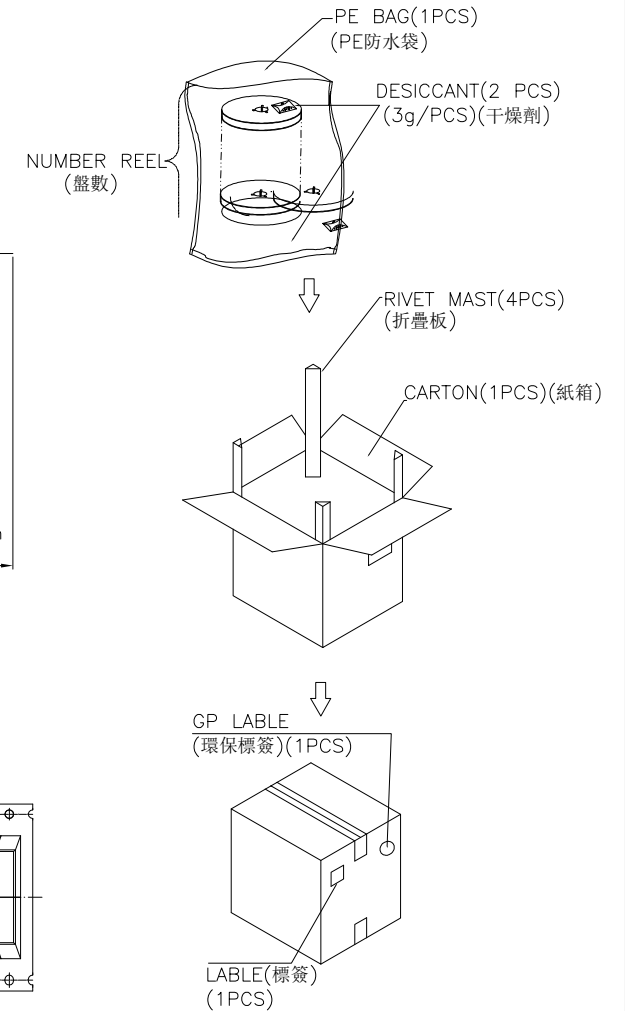
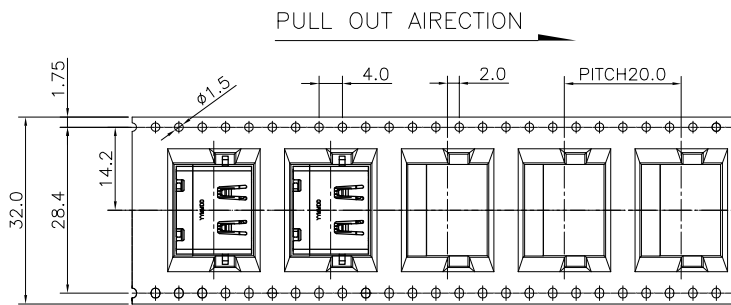


REV.	REVISION RECORD	DATE	UNIT: MM	GENERAL TOLERANCES		SCALE	NAME	DATE	PART NO.	DWG NO.	 TERMINAL&CONNECTORS		
A0	新图面发行	20.08.21		LINEAR	ANGLES	1:1							
A1	更新图框	21.11.30	0.00 ± 0.30	X° REF ± 6°	APPROVED	Frey Yang	21.10.14	HA-FC100DR-E01	ENDE05				
			0.00 ± 0.25	X° ± 3°	DESIGNER	Daniel Dong	21.10.14	TITLE HDMI A Type Receptacle DIP Product CH=1.0mm					
			0.000 ± 0.10	X° X' ± 2°	DRAWN	Micky Ma	21.10.14						
			SIZE: A4							REV	A1	SHEET	1/1

# 包装规范



Single hole: None Hole Side  
 单孔: 贴无链孔侧  
 Double hole: Elliptical Hole Side  
 双孔: 贴椭圆孔侧



1. 材料: 黑色。
2. 材料厚度:  $0.4 \pm 0.05\text{mm}$ 。
3. 所有尺寸均符合EIA-481-B要求。
4. 500pcs 一卷。
5. 4000pcs 一箱。

Pin No.	REEL /PCS	CARTON /R	CARTON /PCS
旧料号 W-HDMI-CH100-EXX	500	8	4000
新料号 HA-FC100DR-E01			

					一般公差 GENERAL TOLERANCE		绘图 DR.		料号 PART NO.		文件编号 NUMBER				
					X.X ±0.20	X° ±2°	马仔		PK-HA-FC100DR-E01		ENDPW10				
					X.XX ±0.10	X.X° ±1°	审核 CHK.		品名 TITLE				比例 SCALE	SHEET	版次 REV.
					X.XXX ±0.05		核准 APPD.		HDMI A Type Receptacle DIP				1:1	1/1	A1
版次 REV.	日期 DATE	变更内容 DESCRIPTION	审核 CHK.	核准 APPD.	单位 UNIT	mm		核 准		Product CH=1.0mm					

A

B

C

D

E

F