

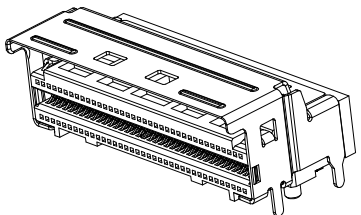
RECOMMENDED PCB LAYOUT
TOLERANCE ±0.05

- SPECIFICATIONS:
- Material And Finish:
 - Insulator: High Temperature Thermoplastic UL94 V-0 Black(LCP).
 - Contact: Copper Alloy.
 - Gold Plated Over Nickel(50u" Min) Plated On Mating Area.
 - Matte Tin Plated Over Nickel(100u" Min) On Solder Area.
 - Latch: Stainless Steel.
 - Nickel Plated Overall.
 - Electrical Specification:
 - Contact Resistance: 20m Ohms Max.
 - Insulation Resistance: 1000M Ohms Min. At 100V DC For 60s.
 - Withstanding Voltage: 300V Min. DC For 60 Seconds.
 - Voltage Rating: 30V AC.
 - Current Rating: 0.5A Per Pin.
 - Mechanical Specification:
 - Mating Force: 40N Max.
 - Unmating Force: 3N Min.(Without latch)
 - Durability: 250 Cycles.
 - Environmental Specification:
 - Operating Temperature: -40°C ~ +85°C.
 - Temperature Rise: 30°C Max.
 - The Product Using Material And Processing Must Conform To The "WI-PZ-142"HSF Technical Standard Control Requirements.
 - P/N Order: 80601W10-2X74PA-SF-004-XX

SLIMSAS SERIAL _____
 PDUCUCT PITCH _____
 100I: 1.00mm pitch #1 Type;
 060I: 0.60mm pitch #1 Type;

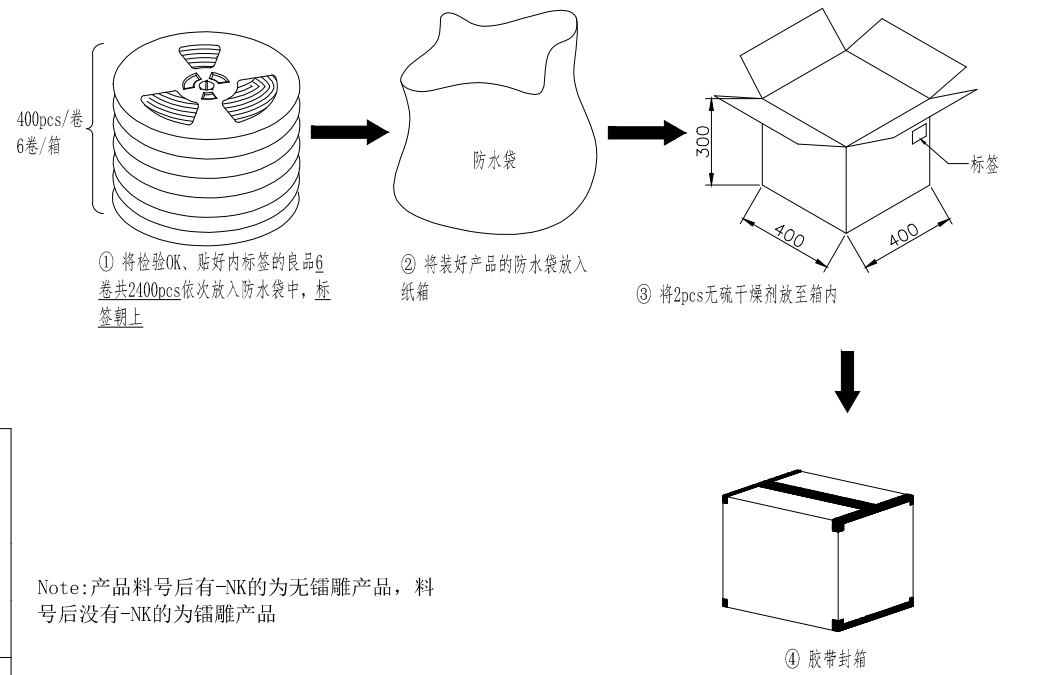
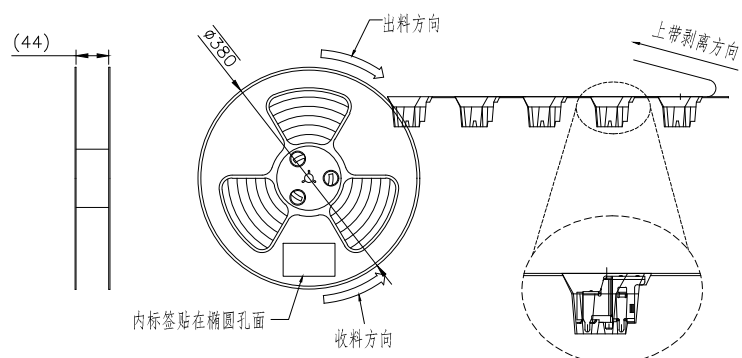
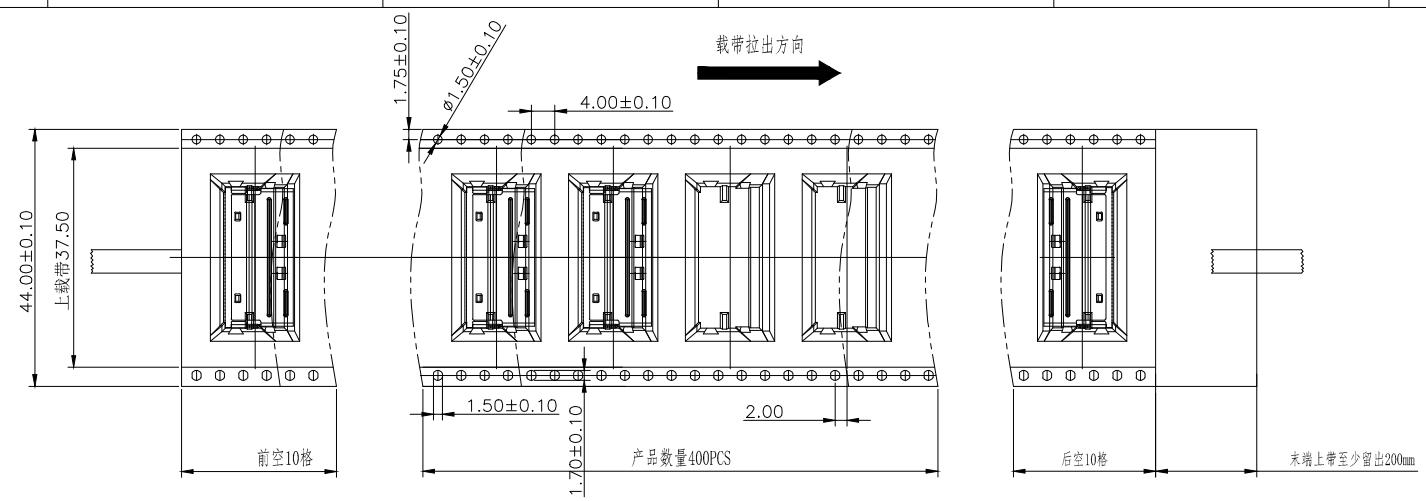
H:HOUSE _____
 W:ASSEMBLY PRODUCT _____
 0: 180°
 1: 90°

NIL: WITH LOGO
 NK: WITHOUT LOGO
 XXX: PLPELINED CODE
 F: WITH LOCATING POST
 S: SMT TYPE
 HSG COLOR: A: BLACK
 CONTACT NUMBER:
 74P: 74PIN CONTACT
 2X: DOUBLE ROW CONTACT
 3X: THREE ROW CONTACT
 □: UL94V-0;
 1: UL94V-1;



REV.	REVISION RECORD	DATE		GENERAL TOLERANCES		SCALE: 1:1	NAME	DATE	PART. NO: 80601W10-2X74PA-SF-004	DWG. NO: ENDE05	 TERMINAL&CONNECTORS
A0	新图面发行	2020. 04. 17		LINEAR	ANGLES	APPROVED	Frey Yang	2024.04.07			
A1	更新产品注解	2024. 04. 07		0.0±0.30	X° REF±6°	DESIGNER	Daniel Dong	2024.04.07			
				UNIT: MM 0.00±0.20	X° ±3°	DRAWN	Jackie Tan	2024.04.07	TITLE: SLIMSAS X8 R/A LOW PROFILE SOCKET	REV: A1	

检验规范



① 将检验OK、贴好内标签的良品6卷共2400pcs依次放入防水袋中，标签朝上

② 将装好产品的防水袋放入纸箱

③ 将2pcs无硫干燥剂放至箱内

④ 胶带封箱

Note: 产品料号后有-NK的为无镭雕产品，料号后没有-NK的为镭雕产品

4	80601W10-2X74PK-SF-204	本色 半金30u" 带导电条 DIP脚2.20MM	400PCS/卷	2400PCS/箱
3	80601W10-2X74PA-SF-204	黑色 半金30u" 带导电条 DIP脚2.20MM		
2	80601W10-2X74PK-SF-004	本色 半金30u" 带导电条 DIP脚1.50MM		
1	80601W10-2X74PA-SF-004	黑色 半金30u" 带导电条 DIP脚1.50MM		
序号	料号	规格	包装数量	

一般公差 GENERAL TOLERANCE					绘图 DR.	料号 PART NO.	文件编号 NUMBER	 TERMINAL&CONNECTORS		
X.X	±0.15	X°	±2°		校对 CHK.	80601W10-2X74PX-SF-X04-R	ENDPW03			
X.XX	±0.05	X.X°	±1°		审核 CHK.					
X.XXX	±0.02	▲ MAJOR DIM.		单位 UNIT	核准 APPD.	品名 TITLE	比例 SCALE		SHEET	版次 REV.
AO	2022.12.21	新版本发行	李志安	罗祖国	mm	SLIMSAS 8X R/A SOCKET	1:1	1/1	AO	
版次 REV.	日期 DATE	变更内容 DESCRIPTION	审核 CHK.	核准 APPD.						