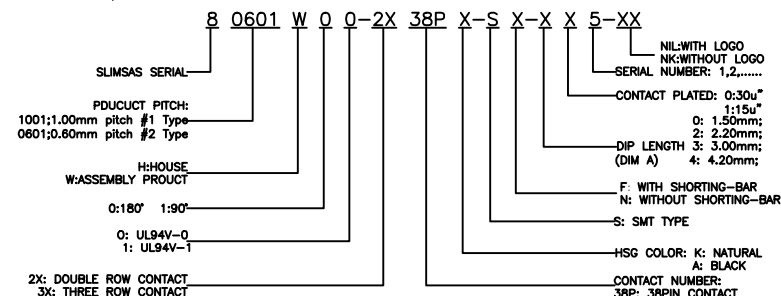
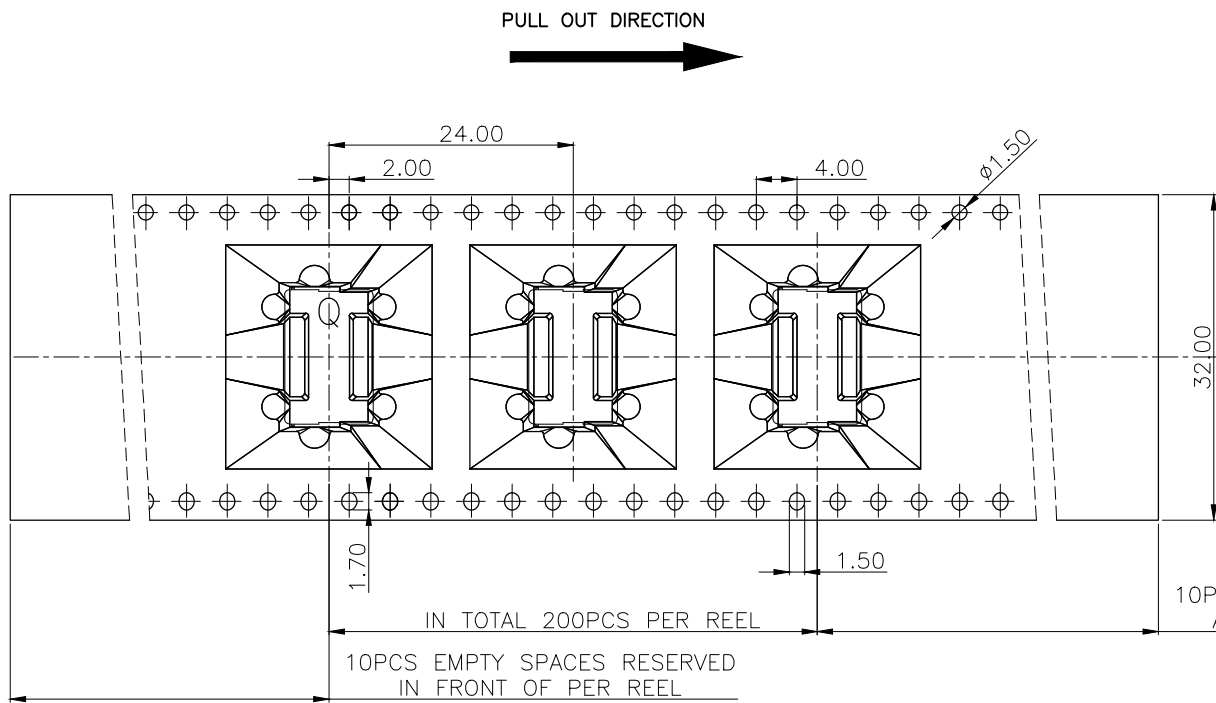


SPECIFICATIONS:

- Material And Finish:**
 - Insulator: High Temperature Thermoplastic UL94 V-0 BLACK
 - Contact: Copper Alloy.
 - Plating Refer To P/N System
 - Latch: Stainless Steel.
 - 50u" Min Solderable Nickel Over All.
- Electrical Specification:**
 - Contact Resistance: Δ 20m Ohms Max.
 - Insulation Resistance: 1000M Ohms Min. At 100V DC For 60s.
 - Withstanding Voltage: 300V Min. DC For 60 Seconds.
 - Voltage Rating: 30V AC.
 - Current Rating: 0.5A Per Pin.
- Mechanical Specification:**
 - Latch Retention Force: 50N Min.
 - Mating Force: 40N Max.
 - Unmating Force: 1.5N Max.
 - Durability: 250 Cycles.
- Environmental Specification:**
 - Operating Temperature: -40°C ~ +85°C.
 - Temperature Rise: 30°C Max.
- Support PCIE4.0 AND SAS4.0
- The Product Using Material And Processing Must Conform To The "WI-PZ-142" HSF Technical Standard Control Requirements.
- P/N Order

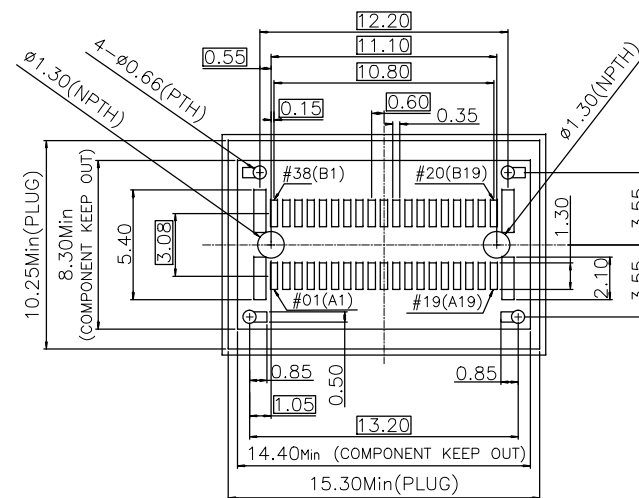


REV.	REVISION RECORD	DATE	GENERAL TOLERANCES		SCALE:	NAME	DATE	PART. NO:	DWG. NO:	
A0	新图面发行	2020.04.17	LINEAR	ANGLES	1:1	Daniel Dong	2024.08.22	80601W00-2X38PX-SX-XX5	ENDE05	
A1	更新产品描述	2024.04.30	0.0±0.30	X° REF±6°	APPROVED	Jackie Tan	2024.08.22	TITLE: SLIMSAS 4X VT SOCKET	REV: A3 SHEET: 1/1	
A2	更新尺寸标注及包规	2024.06.27	0.00±0.20	X° ±3°	DESIGNER	Jackie Tan	2024.08.22			
A3	增加尺寸标注	2024.08.22	0.000±0.10	X° X'±2°	DRAWN	Jackie Tan	2024.08.22			



PACKAGING DRAWING
SCALE 1:2

TOP VIEW



RECOMMENDED PCB LAYOUT
GENERAL TOLERANCE ± 0.05

80601W00-2X38PX-SX-XX5	200PCS/REEL	1400PCS/REEL
P/N	PACKING Q'TY	

REV.	REVISION RECORD	DATE	GENERAL TOLERANCES		SCALE:	NAME	DATE	PART. NO:	DWG. NO:		
A0	新图面发行	2020.04.17		LINEAR	1:1	APPROVED	Daniel Dong	2024.08.22	80601W00-2X38PX-SX-XX5		ENDE05
A1	更新产品描述	2024.04.30		0.0 ± 0.30	ANGLES						
A2	更新尺寸标注及包规	2024.06.27	UNIT: MM	0.00 ± 0.20	$X^\circ \pm 3^\circ$	DESIGNER	Jackie Tan	2024.08.22	TITLE:		
A3	增加尺寸标注	2024.08.22	SIZE: A4	0.000 ± 0.10	$X^\circ X' \pm 2^\circ$	DRAWN	Jackie Tan	2024.08.22		SLIMSAS 4X VT SOCKET	
										REV: A3	SHEET: 2/2