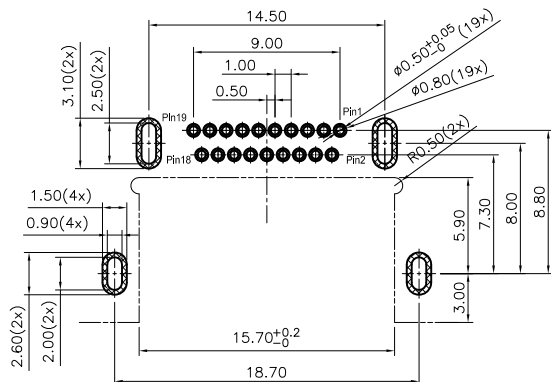
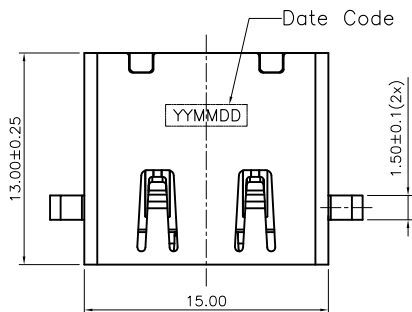


环保物料



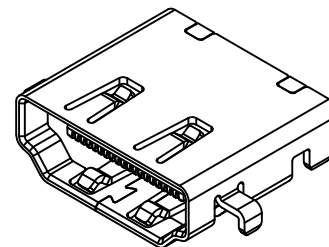
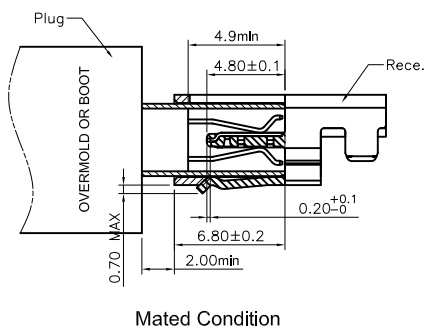
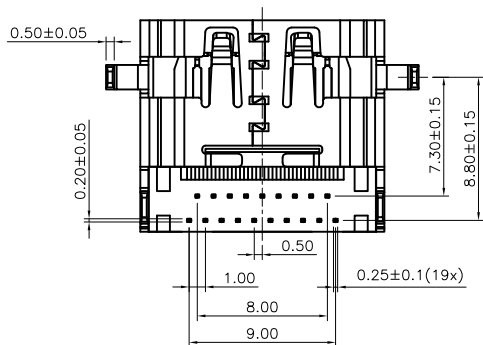
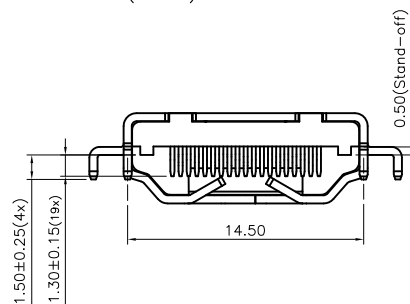
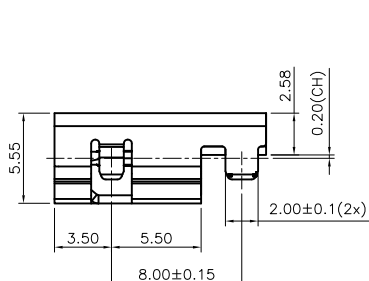
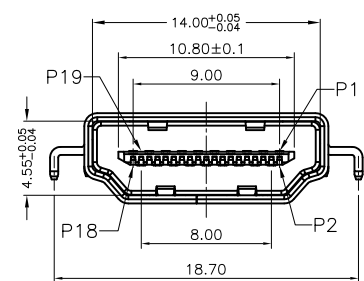
RECOMMENDED PCB LAYOUT (TOP VIEW)
GENERAL TOLERANCES: ±0.03 (t=1.2)


NOTES:

- MATERIAL AND PLATING:**
Housing: LCP+30%G.F,UL94V-0,Black
Contact: Copper Alloy, Au And Sn Plated.
Shell: SK7, Ni Plated.
- MECHANICAL CHARACTERISTIC**
Mating Force: 44.1N(4.5Kgf) max.
Unmating Force: 9.8N~39.2(1~4Kg).
Durability: 10,000 Cycles.
- ELECTRICAL CHARACTERISTIC**
Current Rating: 0.5A Max.
Voltage Rating: 40V AC Max.
Contact Resistance: 30m Ohm Max.
Insulation Resistance: 100M Ohm Min(unmated)
10M Ohm Min(mated)
Dielectric Withstanding Voltage: 500V AC Min
- TEMPERATURE**
Operating Temperature: -40°C~+85°C
Storage Temperature: -60°C~+105°C
- ORDER INFORMATION:**

HA-F B020 D R -E0 01
1 2 3 4 5 6 7

- 1.HA:HDMI A TYPE
- 2.F:FEMALE
- 3.B020=中心高-0.20mm
- 4.D:DIP
- 5.R:90°
- 6.TYPE码:E0:正常规格
- 7.Contact Area plating on contacts
01: C/F



| REV. | REVISION RECORD | DATE | UNIT: MM | GENERAL TOLERANCES | | SCALE | NAME | DATE | PART NO. | DWG NO. |  TERMINAL&CONNECTORS | | |
|------|-----------------|----------|-----------|--------------------|-----------|-------------|-----------|-------------------------------------|-----------------|---------|--|-------|-----|
| A0 | 新图面发行 | 22.01.14 | | LINEAR | ANGLES | 1:1 | Frey Yang | 22.01.14 | HA-FB020DR-E001 | ENDE05 | | | |
| | | | 0.0±0.30 | X° REF±6° | APPROVED | Daniel Dong | 22.01.14 | TITLE | | | | | |
| | | | 0.00±0.20 | X° ±3° | DESIGNER | Micky Ma | 22.01.14 | HDMI A/F R/A DIP TYPE CH=-0.20mm | | | | | |
| | | | SIZE: A4 | 0.000±0.10 | X° X' ±2° | DRAWN | | | | REV | AO | SHEET | 1/1 |