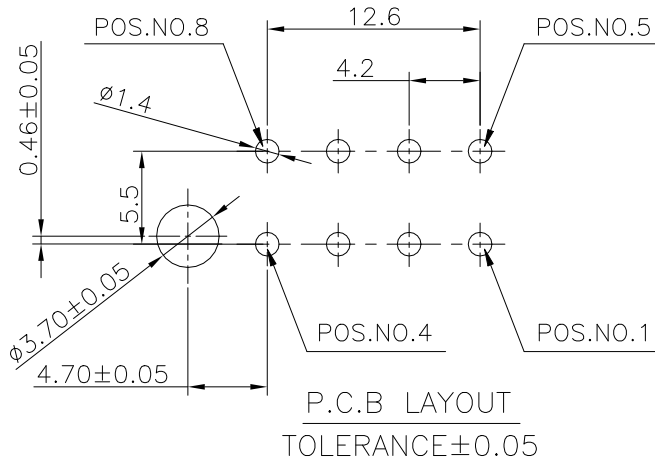
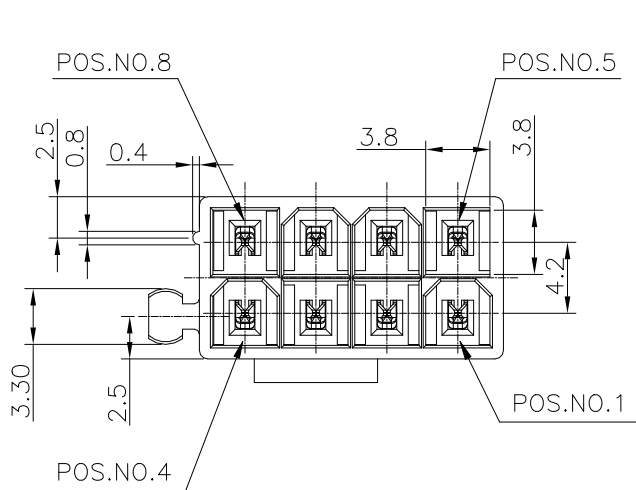
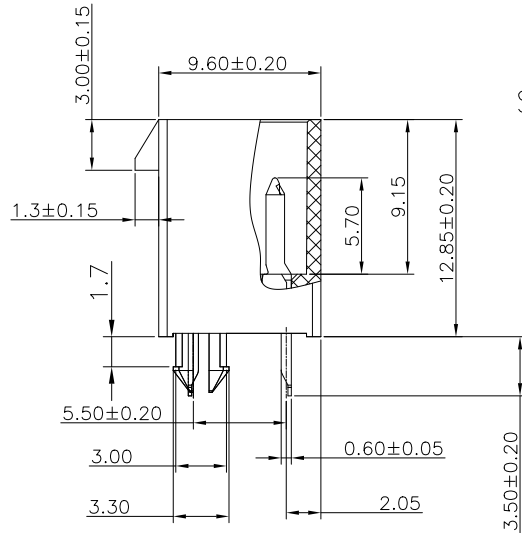
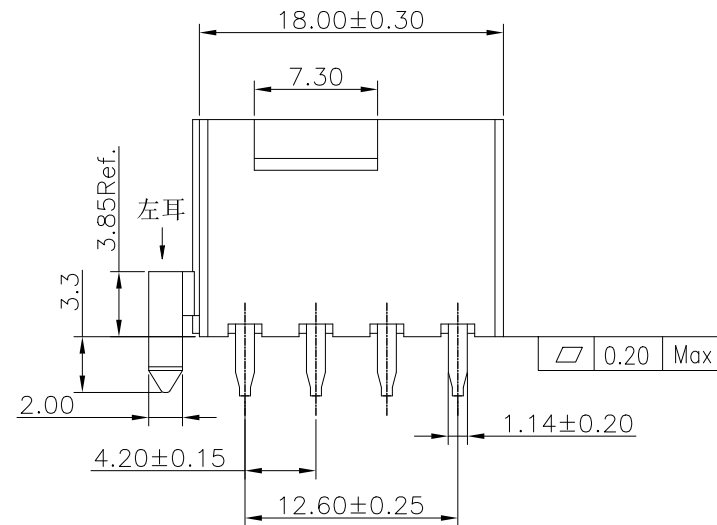


环保物料



SPECIFICATIONS:

Voltage Rating: 600V AC / DC.
Current Rating: SEE NOTES.
Withstanding Voltage: 1500V AC/minute.
Temperature Range: -40°C~+105°C.
Insulation Resistance: 1000MΩ Min.
Contact Resistance: 20mΩ Max.
After environmental testing: 40mΩ Max.
Solder Resistance: 265±10 °C



Series No. 34202W10-2X4PX-XC HD


HD: 无卤+无MYLAR+载带包装

W00: 180度挂台偏边
2X: 双排针
4P: 单排Pin数

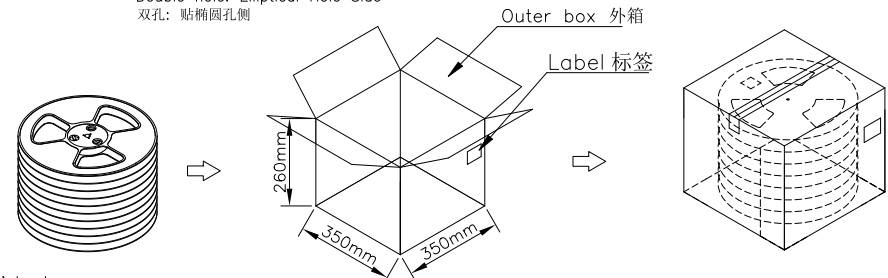
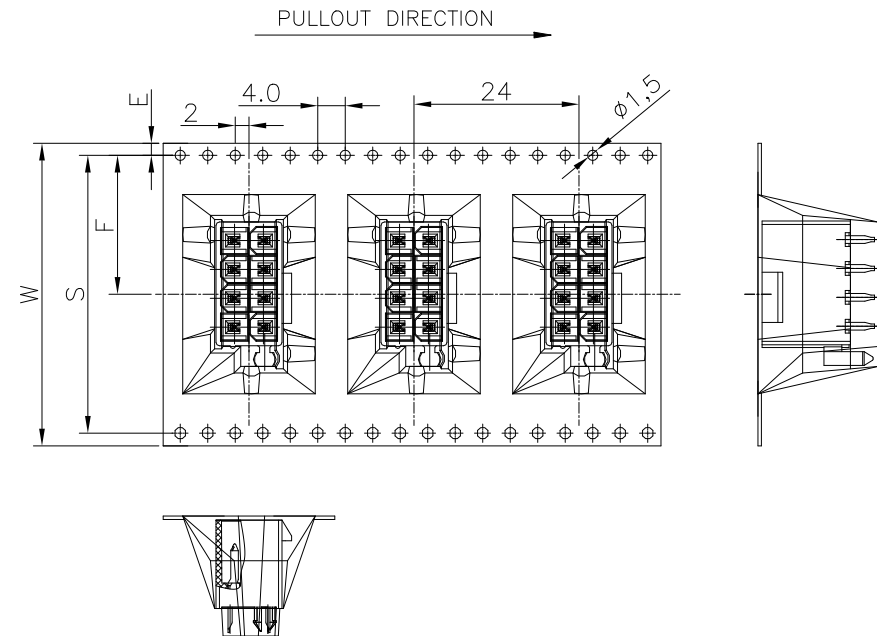
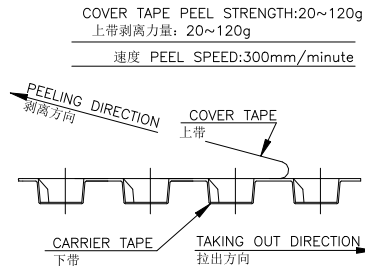
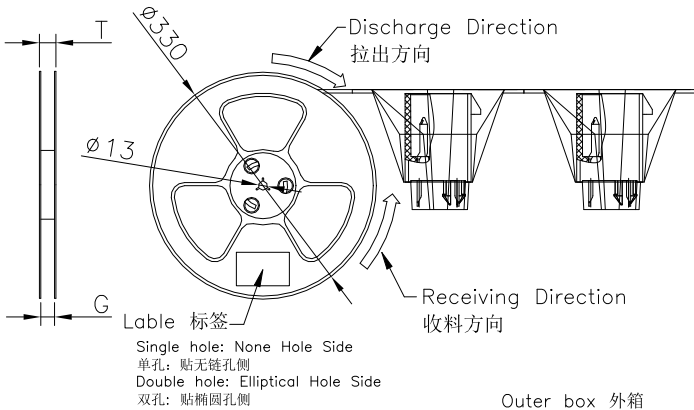
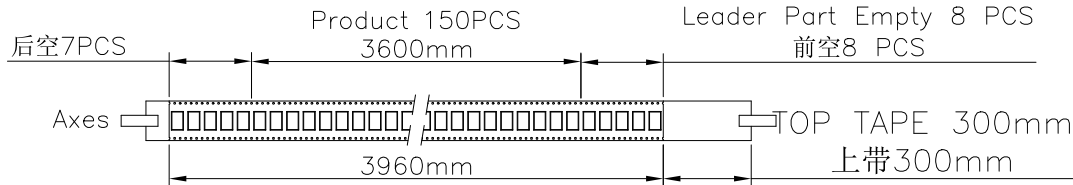
空: PA9T本色
A: PA9T黑色
W: LCP白色
B: LCP黑色
6: PA66白色

N: 无耳
L: 带左耳
R: 带右耳
D: 带左右双耳

C: 端子C2680 (Current Rating: 9A)
Tin-Plated 100u"Min.
50u"Min Ni Plated Base

REV.	REVISION RECORD	DATE	UNIT: MM	GENERAL TOLERANCES		SCALE	NAME	DATE	PART NO.	DWG NO.				
A0	新版发行	23.10.26		LINEAR	ANGLES	1:1								
				±0.30	±2°	APPROVED	Frey Yang	23.10.26	34202W10-2X4PX-XCHD	ENDE05				
			SIZE: A4	0.00±0.25	X° ±3°	DESIGNER	Michael Dong	23.10.26	TITLE 4.20mm PITCH DIP TYPE 180°WAFER					
				0.000±0.15	X° X' ±2°	DRAWN	Dalan Dai	23.10.26			REV	A0	SHEET	1/1

环保物料



- Note:**
- Carrier Camber Is Within 1mm In 100mm ; 带长100mm内容许弯曲度1mm
 - 10 Sprocket Hole Pitch Cumulative Tolerance±0.2MM ; 圆孔十个孔距离累计允许公差为±0.2mm
 - Carrier Tape Material for PS ; 下带材质为PS材质; Color颜色: transparent 透明
 - bracer保护带: Color颜色:Natural透明色;厚度0.40mm最小
 - Thickness=0.50±0.05 ; 材料厚度为0.50±0.05mm
 - Cover Tape上带: 冷风自粘带
 - Reel卷盘: PS材质; Color颜色: Blue蓝色

Pin No.	W	S	F	T	G	Cover Tape (上带) Color	Carrier Tape (下带) Color	REEL /PCS	CARTON /R	CARTON /PCS
2X2P	32	28.4	14.20	35.0	33.4	透明		150	7	1050
2X3P										
2X4P	44	40.4	20.20	48.5	44.4			150	5	750
2X5P										
2X6P										
2X7P	56	52.4	26.20	60.5	56.4			150	4	600
2X8P										
2X10P										
2X11P	72	68.4	34.2	75.0	72.5			150	3	450
2X12P										

REV.	REVISION RECORD	DATE	GENERAL TOLERANCES		SCALE	NAME	DATE	PART NO.	DWG NO.				
A0	新版发行	23.10.26	LINEAR	ANGLES	1:1	Frey Yang	23.10.26	34202W10-2XNPX-XCHD	ENDE05				
			±0.30	±2°	APPROVED	Michael Dong	23.10.26	TITLE					
			UNIT: MM	0.00±0.25	X° ±3°	DALAN Dai	23.10.26	4.20mm PITCH DIP					
			SIZE: A4	0.000±0.15	X° X' ±2°	DRAWN		TYPE 180°WAFER 无MYLAR包规	REV	A0	SHEET	1/1	