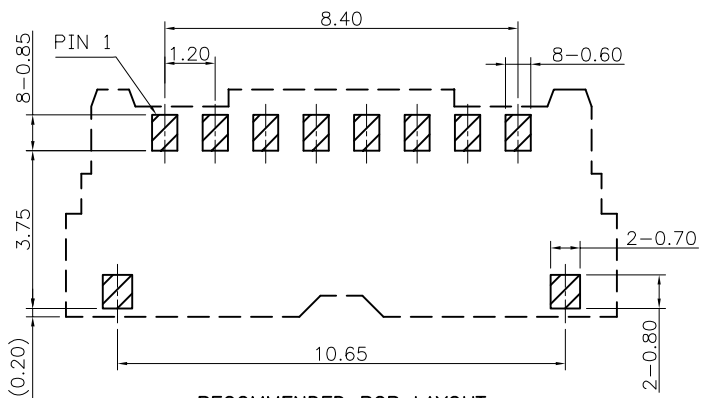
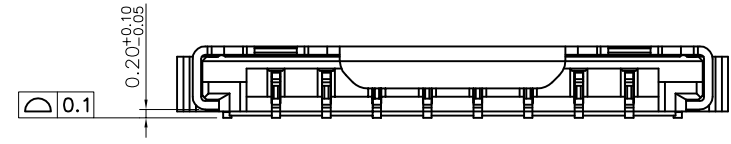
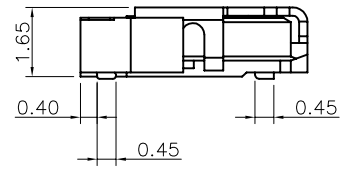
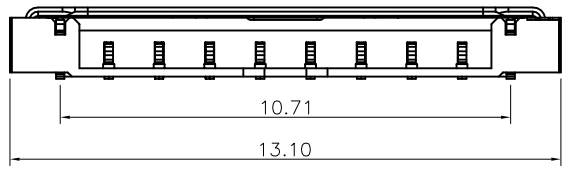
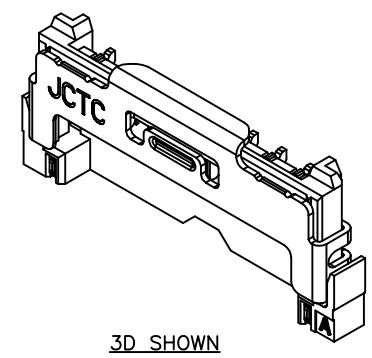


PART No:
11206W90-08 A-S xx R 01
 ① ② ③ ④ ⑤ ⑥ ⑦


① Series No.
 ② No. of Circuits
 ③ A: BLACK
 ④ S: SMT TYPE
 ⑤ 5A: Au 1u"
 ⑥ R: REEL PACKING
 ⑦ 01: 01 TYPE



RECOMMENDED PCB LAYOUT
 ALL TOLERANCE ARE ±0.05(TOP VIEW)

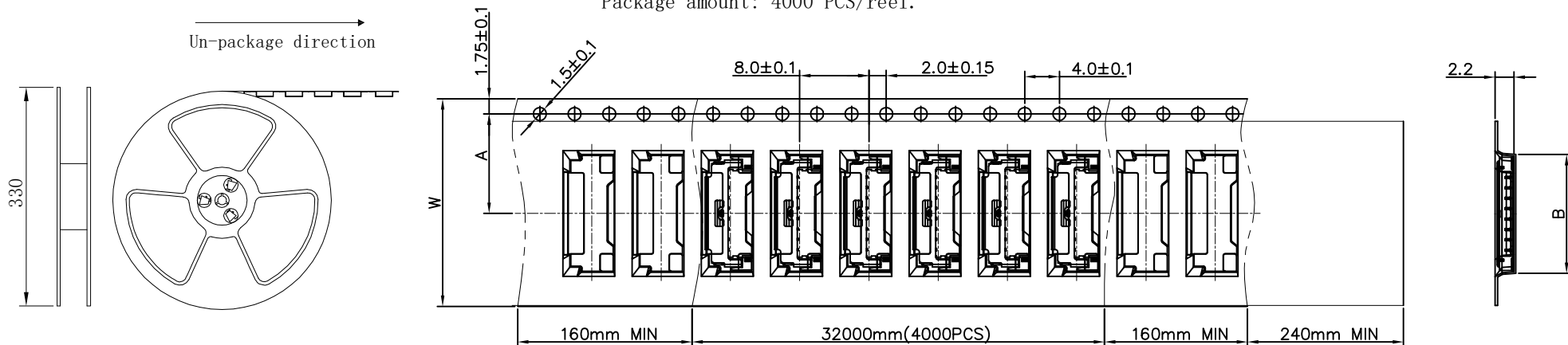


Notes:
 Rated Voltage : 50V AC/DC
 Rated Current : 2A AC,DC
 Withstand Voltage : 500V AC/minute
 Contact Resistance : 20mΩ(MAX.)
 Insulation Resistance : 100MΩ(MIN.)
 Temperature Range : -25°C~+85°C
 The product using material and processing must conform to the "WI-PZ-142"HSF technical standard control requirements

REV.	REVISION RECORD	DATE	UNIT: MM	GENERAL TOLERANCES		SCALE 1:1	NAME	DATE	PART NO.	DWG NO.	 TERMINAL&CONNECTORS		
X0	New drawing	24.07.26		LINEAR	ANGLES	APPROVED	Frey Yang	2024.08.28	11206W90-08A-SxxR01	ENDE05			
X1	变更产品高度为1.65	24.08.03	0.00±0.15	X° REF±6°	DESIGNER	Daniel Dong	2024.08.28	TITLE 1.2PH BTW CONN H1.65 RECEPTACLE					
X2	变更盖子组装方式	24.08.22	0.00±0.08	X° X' ±2°	DRAWN	Daniel Dong	2024.08.28						
X3	增加"JCTC"LOGO, 变更胶芯缺口	24.08.28	SIZE: A4							REV	X3	SHEET	1/2

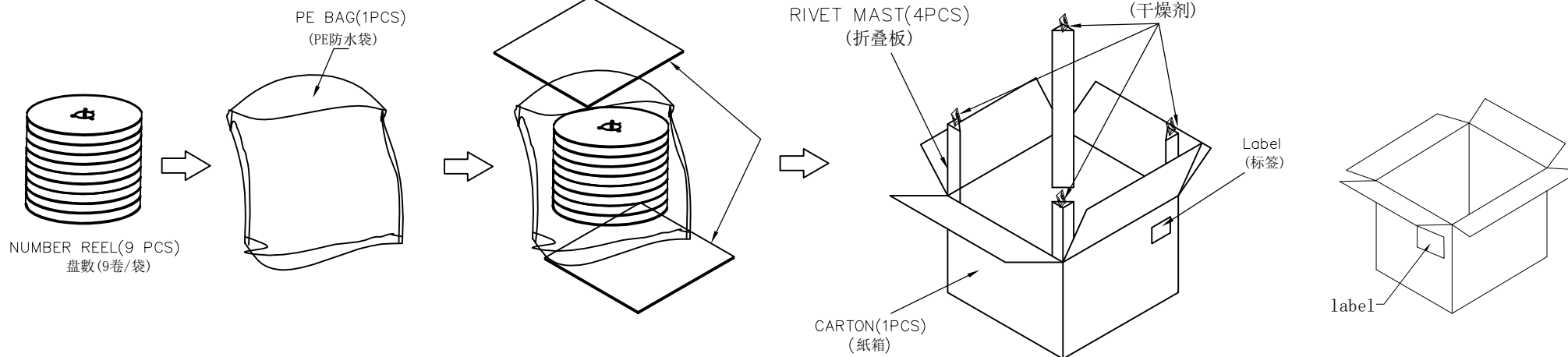
环保物料

1、 There should be at least 160mm empty packet at the beginning of carrier tape, and at least 160mm empty packet at the ending.
 The cover should be 240mm longer than carrier tape.
 Package amount: 4000 PCS/reel.



PIN	A	B	W
8	11.5	13.70	24.00

User direction of unreeling



REV.	REVISION RECORD	DATE		GENERAL TOLERANCES		SCALE	NAME	DATE	PART NO.	DWG NO.	 TERMINAL&CONNECTORS
X0	新图面发行	24.07.27		LINEAR	ANGLES	1:1	Frey Yang	24.08.19	11206W90-08A-SxxR01	ENDE05	
X1	变更产品高度为1.65	24.08.03	0.0±0.30	X° REF±6°	APPROVED	Daniel Dong	24.08.19	TITLE		REV X2 SHEET 2/2	
X2	每卷包装数量改为4000PCS	24.08.19	UNIT: MM	0.00±0.25	X° ±3°	DRAWN	Daniel Dong	24.08.19	1.2PH BTW CONN H1.65 RECEPTACLE		
			SIZE: A4	0.00±0.10	X° X' ±2°						